

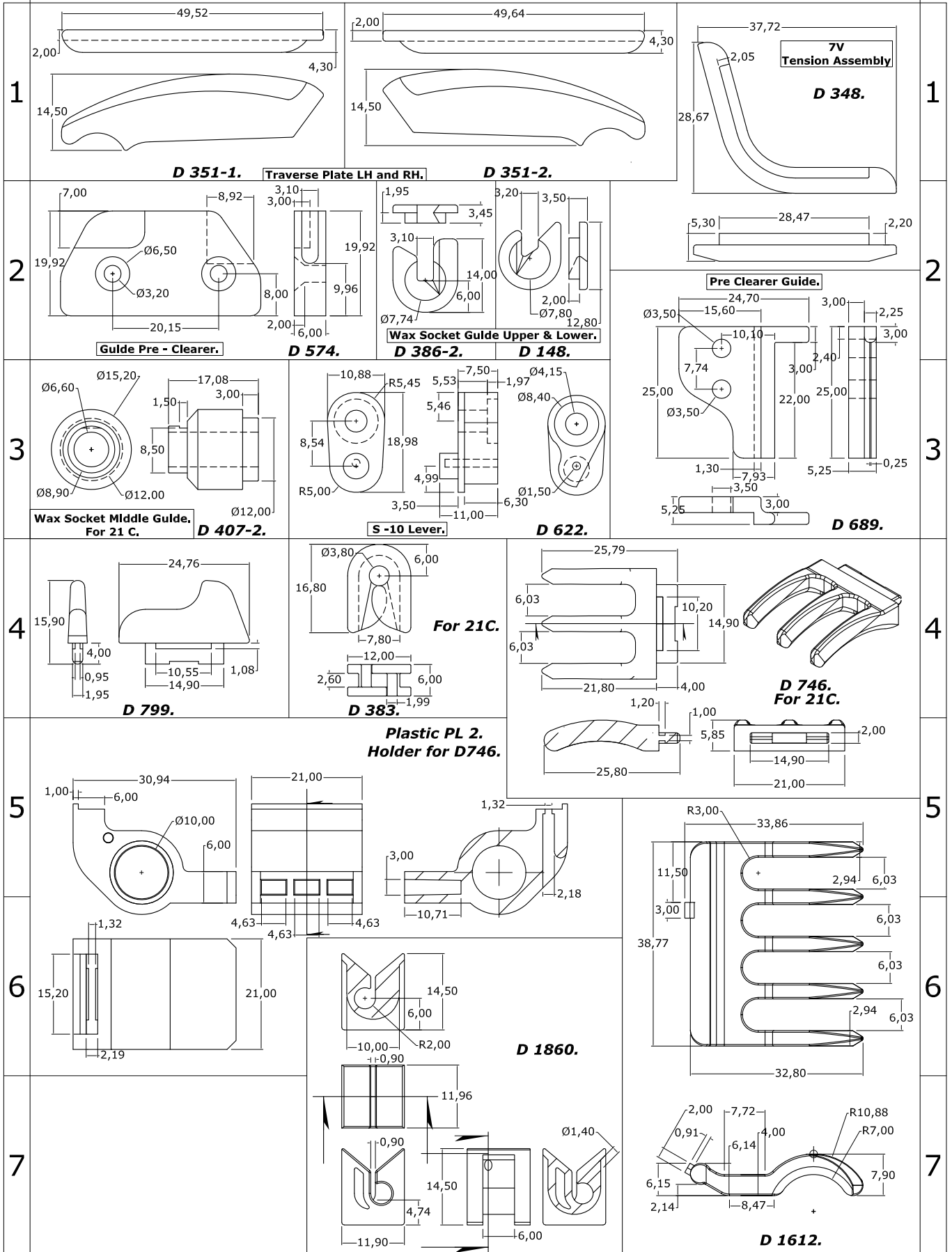
T8-1

Sec. T8- Pg.1.
21-Aug-17

MURATA MACHCONER AUTOCONNER - CERAMICS

Sec.T8- Pg.1.
21-Aug-17

T8-1



All dimensions in mm. SCALE 1:1-- Unless Specified. Please confirm critical dimensions before ordering.

T8-1



DES CERAMICA P. LTD. 432, NAIGAUM CROSS ROAD, WADALA, MUMBAI 400031, INDIA
PH NO : 91-22-24121176, FAX NO : 91-22-24148196, EMAIL : des@vsnl.com, Web : www.desceramica.com



T8-1

1	<p>D 1536.</p>	<p>D 1547.</p>	1
2	<p>D 1548.</p>	<p>D 1547+D1548.</p>	2
3	<p>D 1397.</p>	<p>D 1197.</p>	3
4	<p>D 588.</p>	<p>D 008-580B-030.</p>	4
5	<p>Balcon Guide.</p>	<p>D 378.</p>	5
6			6
7			7

All dimensions in **mm.** **SCALE 1:1--** Unless Specified. Please **confirm critical dimensions** before ordering.

