

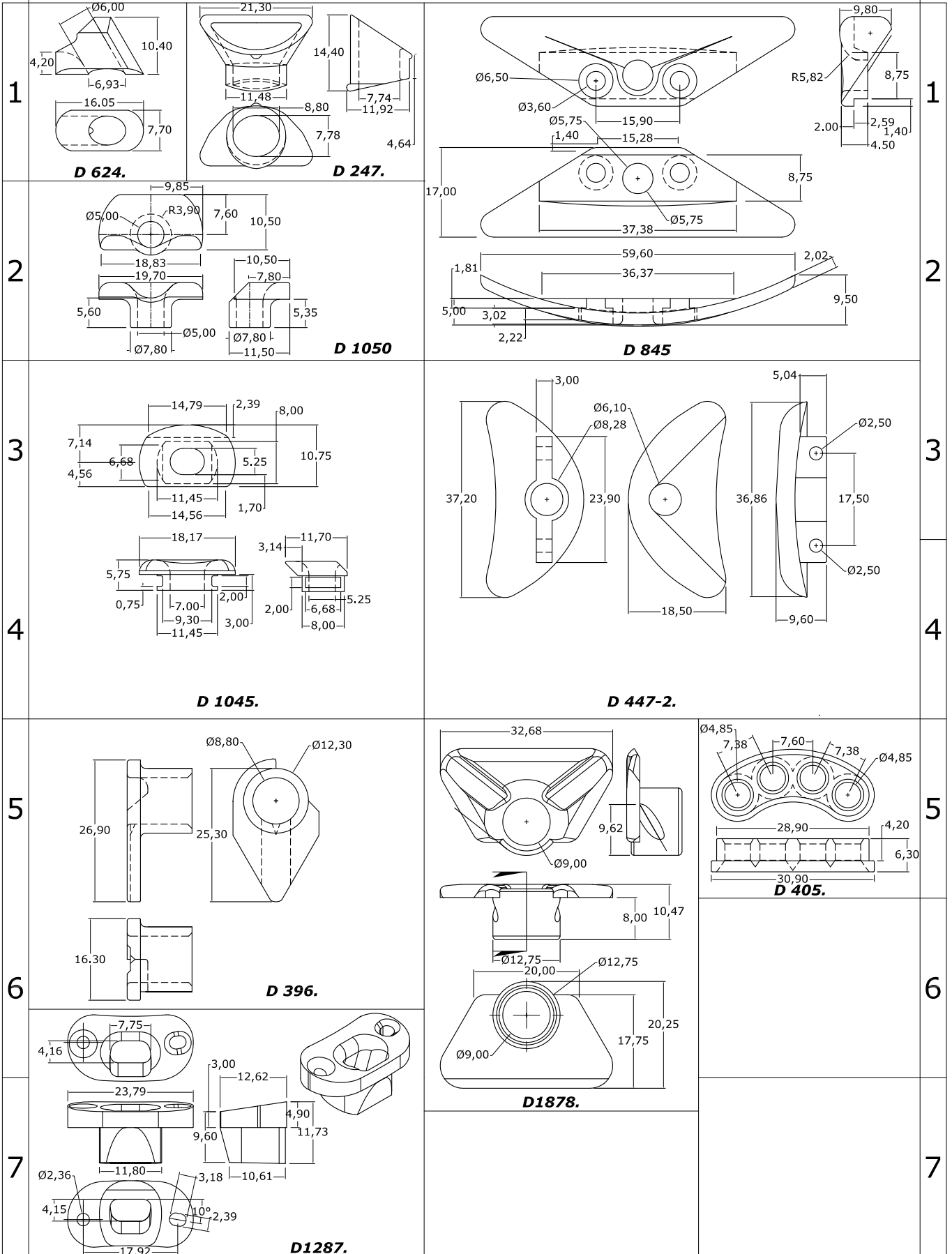
Q1

Sec. Q- Pg. 1.
(21-May-17)

Accumulator / Yarn Feeder Guides.

Sec. Q- Pg. 1.
(21-May-17)

Q1



All dimensions in mm.

SCALE 1:1-- Unless Specified.

Please confirm critical dimensions before ordering.

Q1



DES CERAMICA P. LTD. 432, NAIGAUM CROSS ROAD, WADALA, MUMBAI 400031, INDIA
PH NO : 91-22-24121176, FAX NO : 91-22-24148196, EMAIL : des@vsnl.com, Web : www.desceramica.com



Q1