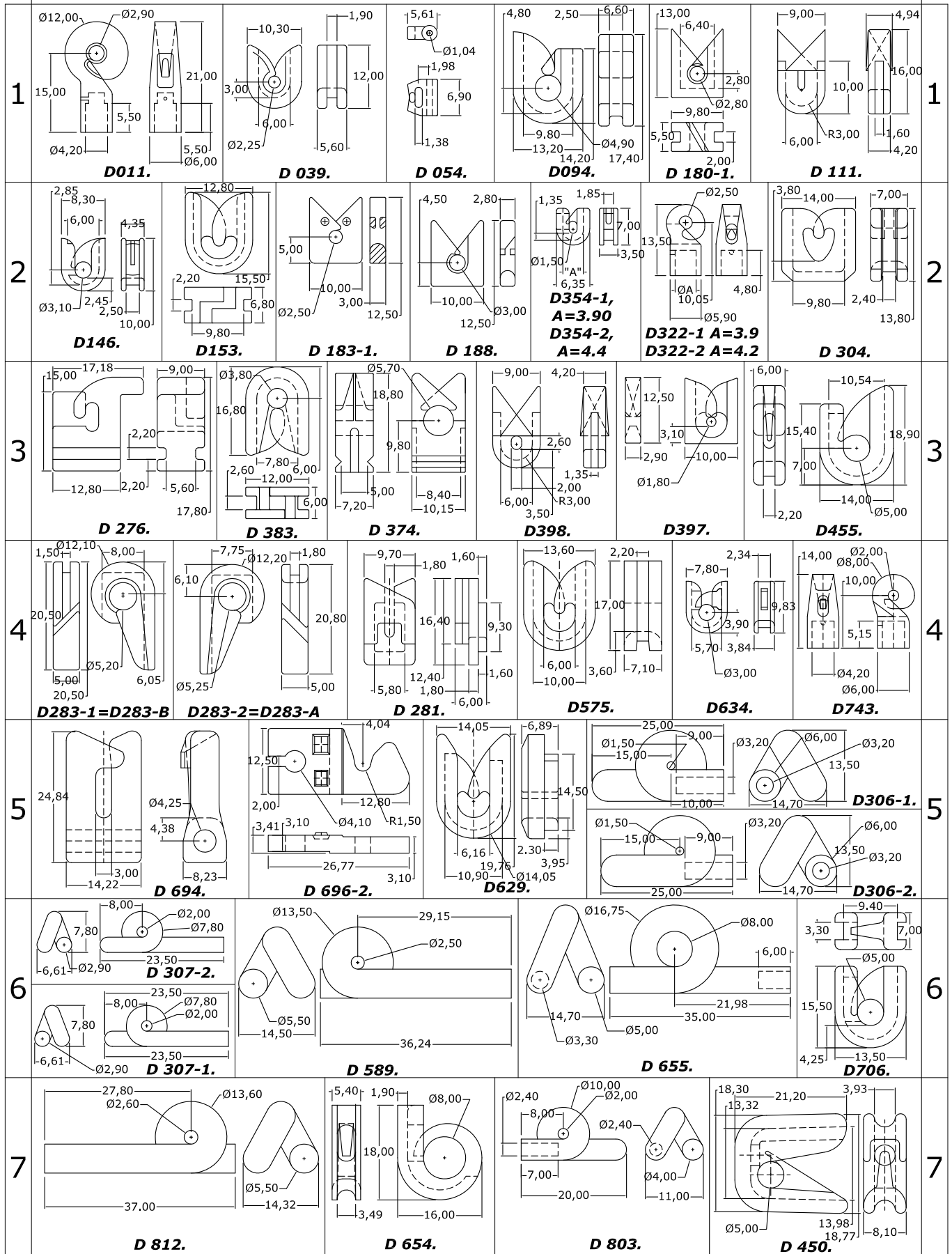


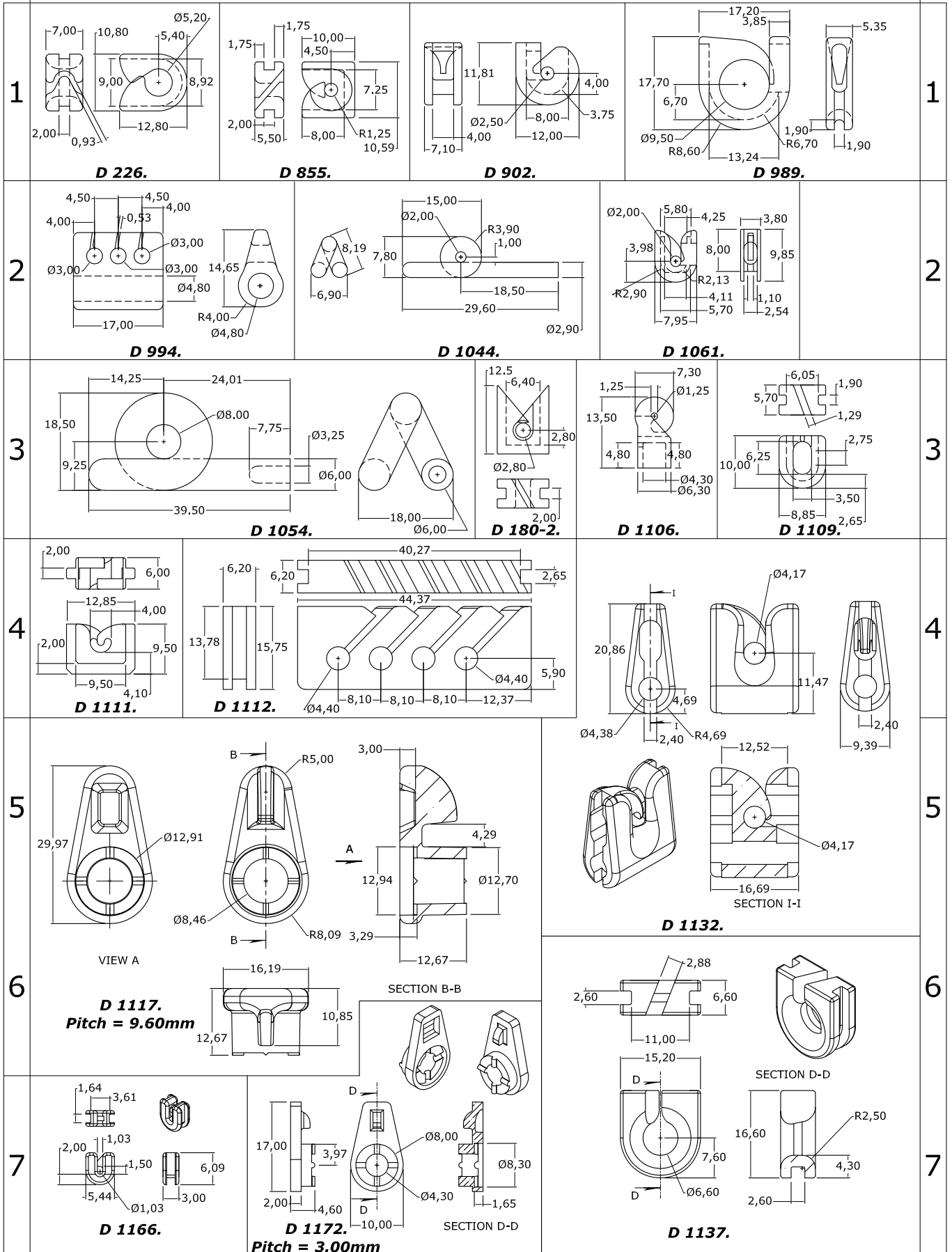
Trap Guide & Pig Tail .



All dimensions in **mm**. **SCALE 1:1**-- Unless Specified. Please **confirm critical dimensions** before ordering.



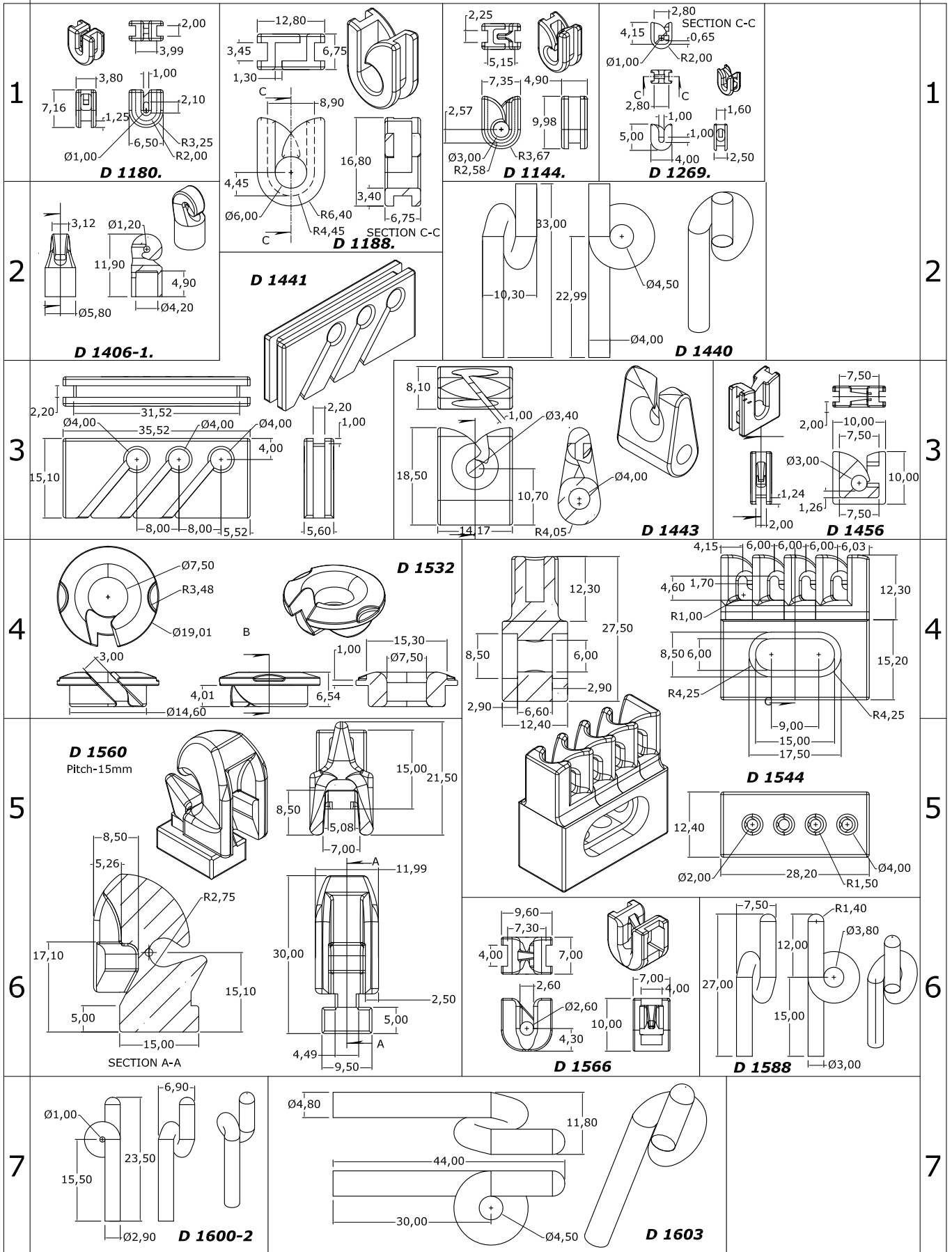
Trap Guide & Pig Tail.



All dimensions in mm. SCALE 1:1-- Unless Specified. Please confirm critical dimensions before ordering.



Trap Guide & Pig Tail.



All dimensions in **mm.** **SCALE 1:1--** Unless Specified. Please **confirm critical dimensions** before ordering.



Trap Guide & Pig Tail.

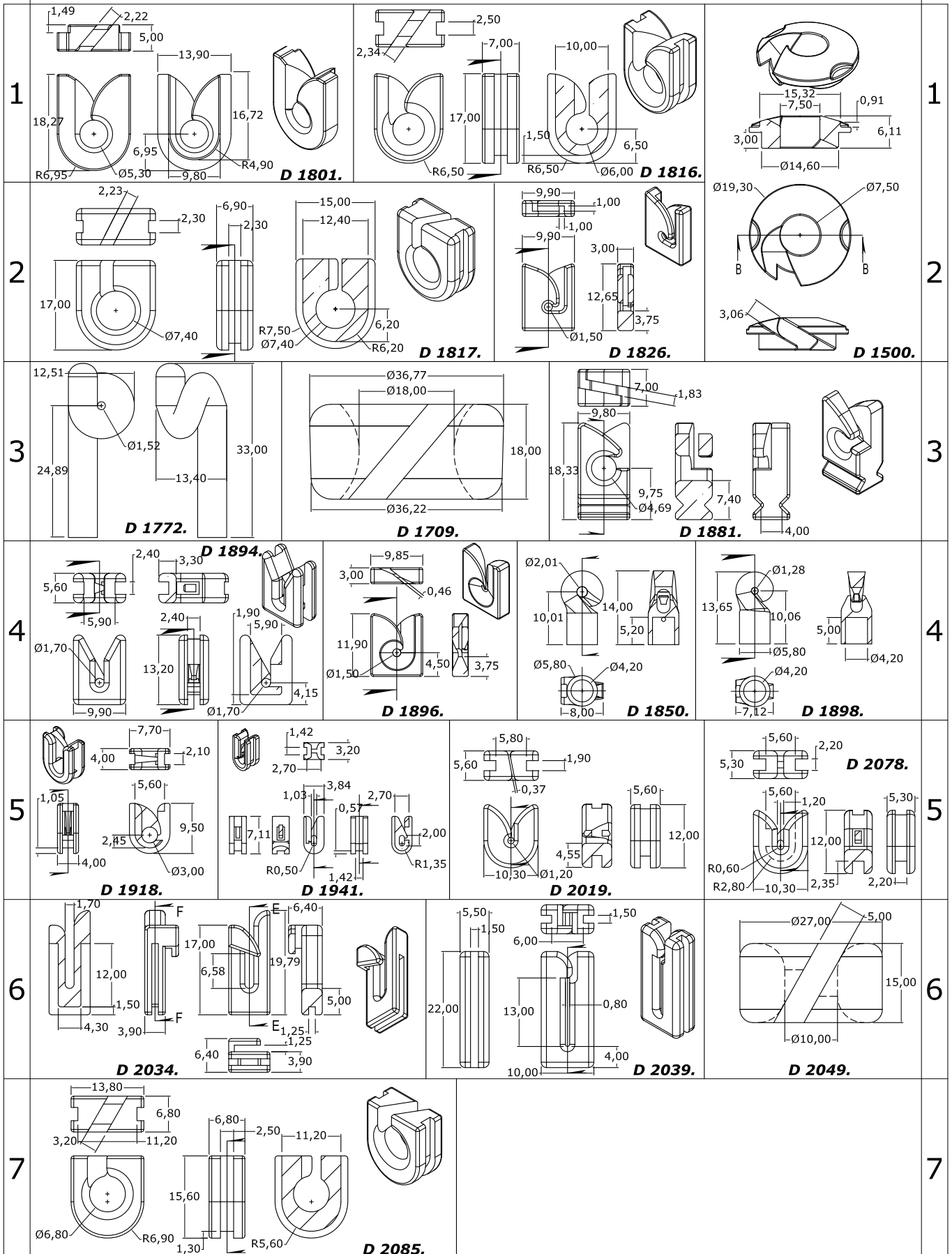
<p>1</p> <p>D 1607</p>	<p>D 1618</p> <p>D 1619</p>
<p>2</p> <p>D 1641</p>	<p>D 1651 2.9mm Pitch</p> <p>D 1731. D 1182.</p>
<p>3</p> <p>D 1676</p>	<p>D 1572</p>
<p>4</p> <p>D 151 Pitch 12.3mm</p>	<p>D 1353</p> <p>D 1746 Roller Bearing 4X12X4</p>
<p>5</p> <p>D 1416.</p>	<p>D 1417.</p> <p>D 1746 + D 1747.</p>
<p>6</p> <p>D 1761.</p>	<p>D 1771.</p> <p>D 1759 + D 1760.</p>
<p>7</p> <p>D 1761.</p>	<p>D 1771.</p> <p>D 1759 + D 1760.</p>

All dimensions in **mm.** **SCALE 1:1--** Unless Specified. Please **confirm critical dimensions** before ordering.

Trap Guide & Pig Tail.

J5

J5



All dimensions in **mm.** **SCALE 1:1--** Unless Specified. Please **confirm critical dimensions** before ordering.

J5



J5